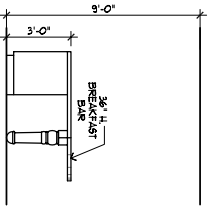
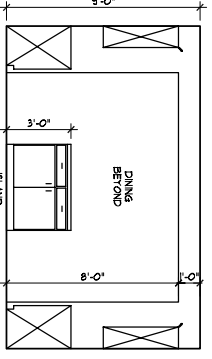
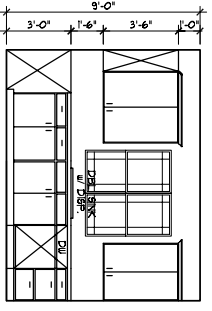
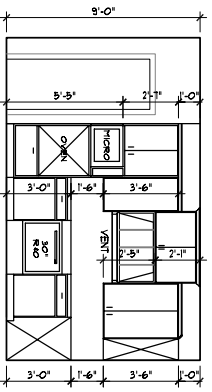
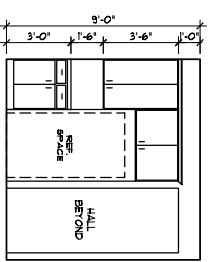
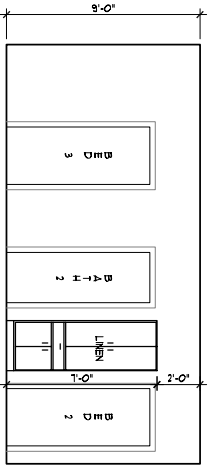


MASTER BATH

UTILITY

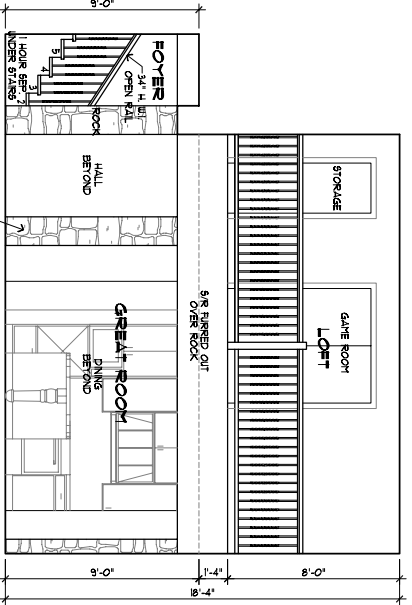
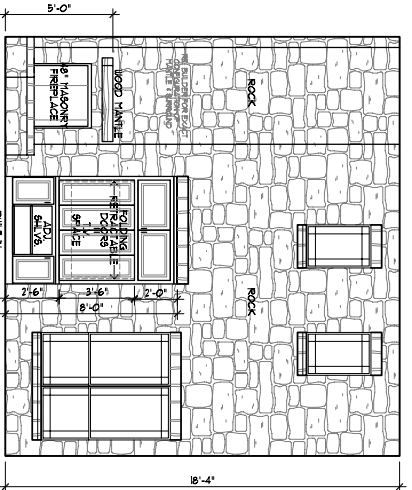
BATH 2

DINING



HALL

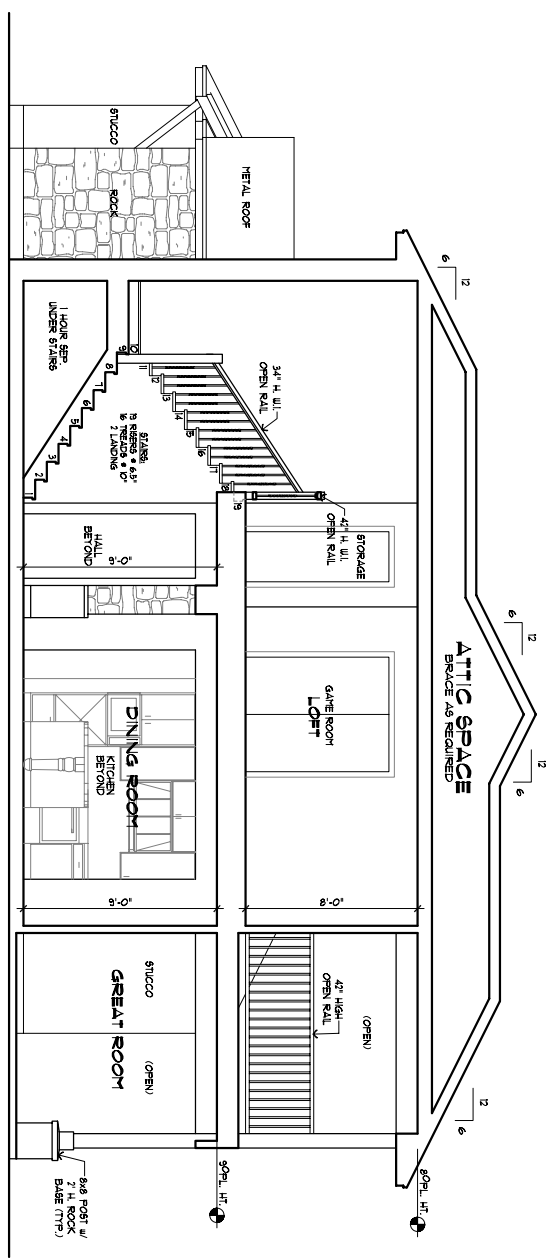
KITCHEN



GREAT ROOM

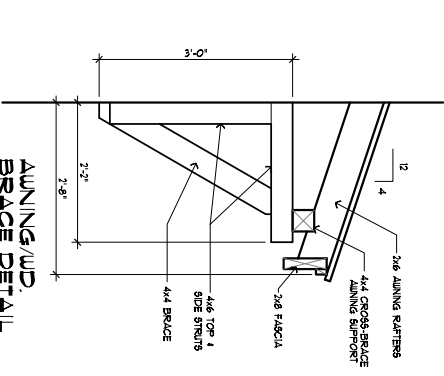
GREAT ROOM

1 INTERIOR ELEVATIONS
SCALE: 1/4" = 1'-0"

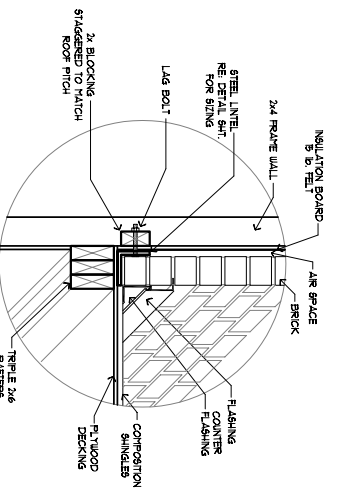


1 SECTION A
SCALE: 1/4" = 1'-0"

AWNING/WD BRACE DETAIL
SCALE: 3/4" = 1'-0"



DETAIL A
SCALE: 1" = 1'-0"



DK	4-4-08	PANEL SKETCH
AA	5-2-08	REVISED PRELIM
AA	6-5-08	REVISED PRELIM
AA	1-5-09	CD'S
AA	8-8-09	CHANGES

These drawings are incomplete and may not be used for regulatory approval, permit or construction, for review only. Brent R Anderson, AIA, Registered Architect, State of Texas: 17241.

ARCHITECTURE
10MSA
YEARS
PLANNING

MSA ARCHITECTURE & PLANNING
CELEBRATING 10 YEARS
IN BUSINESS

16719 HUEBNER ROAD
BLDG. 3 SUITE 301
SAN ANTONIO
TEXAS 78248
210 408 7553 VOICE
210 408 7543 FAX
WWW.MSAOFSA.COM

THIS PLAN AND THE DESIGN CONTAINED HEREIN ARE THE PROPERTY OF MSA ARCHITECTURE & PLANNING AND MAY NOT BE REPRODUCED, COPIED, OR TRANSMITTED IN ANY FORM OR BY ANY MEANS, ELECTRONIC OR MECHANICAL, WITHOUT THE WRITTEN CONSENT FROM MSA OF SAN ANTONIO, TX.

MSA OF SAN ANTONIO, TX IS A PROFESSIONAL BUILDING DESIGN FIRM IN THE STATE OF TEXAS AND NOT AN ENGINEERING FIRM. WE DO NOT QUALIFY TO BE ONE NOR ARE WE LICENSED TO DESIGN STRUCTURAL, MECHANICAL, ELECTRICAL, OR PLUMBING. A LICENSED PROFESSIONAL ENGINEER SHOULD BE CONTACTED AND CONSULTED REGARDING ANY STRUCTURAL, MECHANICAL, ELECTRICAL, OR PLUMBING REQUIREMENTS. THE ENGINEER SHALL BE PRESENT ON THESE DRAWINGS. THE ENGINEER'S STRUCTURAL UNDERPINNING AND FOUNDATION DRAWINGS FOR THIS PROJECT. MSA OF SAN ANTONIO, TX IS NOT TO BE HELD RESPONSIBLE FOR THE STRUCTURAL DESIGN AND FOUNDATION DESIGN FOR THIS PROJECT.

DANCO BUILDERS
A CUSTOM HOME FOR:
MALCOLM & PEGGY MATTHEWS
KERR COUNTY, TX

INTERIOR ELEVATIONS/
SECTION/DETAILS

PAGE 4 OF 4

261-3-2678
REGISTERED DANCOS INTERIORS-22
© COPYRIGHT 2009 MSA OF SAN ANTONIO, TX. ALL RIGHTS RESERVED